



1 COCHRANE AVE. PENNSBORO, WV 26415 PH.
800-426-2249

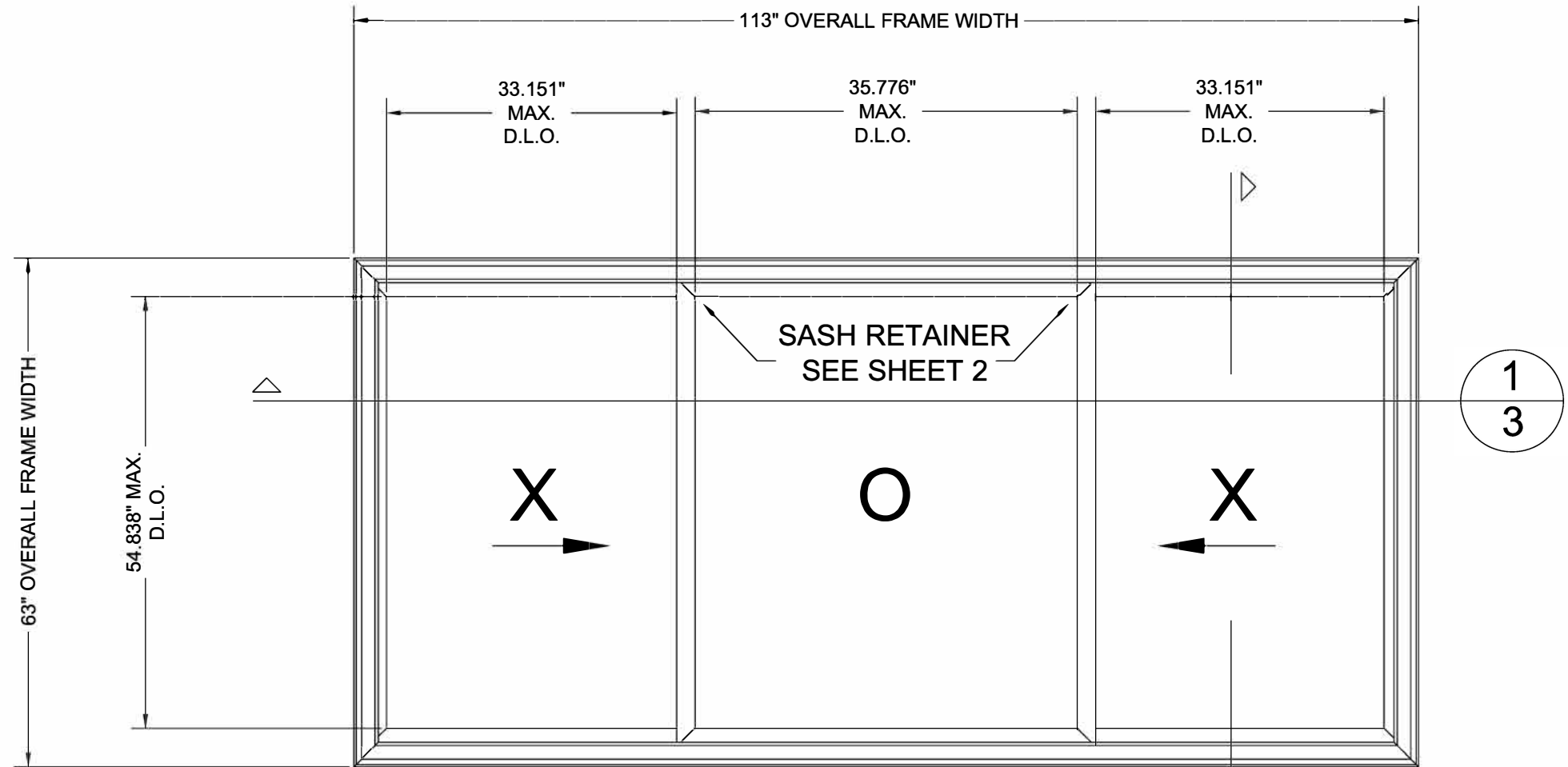
07-09 / 07-10

**STORMBREAKER PLUS 300VL
IMPACT RESISTANT VINYL
HORIZONTAL 3-LITE SLIDING WINDOW**

| REV. #: | REVISIONS: | REVISED BY: | DATE: |
|---------|--------------------------------|-------------|------------|
| 1 | UPDATED FOR 7TH ED. (2020) FBC | LMH | 11/05/2020 |
| | | | |
| | | | |
| | | | |
| | | | |

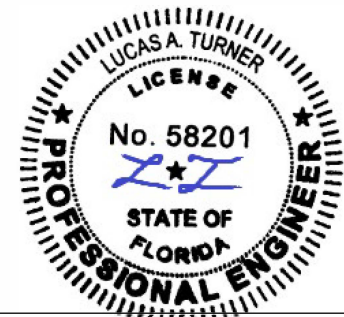
GENERAL NOTES:

1. THIS WINDOW SYSTEM IS DESIGNED TO COMPLY WITH THE 7TH EDITION (2020) FLORIDA BUILDING CODE, INCLUDING HVHZ, AND WAS TESTED USING METHODS TAS 201, TAS 202, AND TAS 203.
2. HIGH QUALITY CAULK SHALL BE USED AROUND THE ENTIRE WINDOW PERIMETER, INSIDE AND OUT. EXTERIOR CAULKING SHALL BE CAP BEAD FOR EQUAL LEG FRAMES, OR BEHIND FINS/FLANGES FOR THOSE FRAME TYPES.
3. THE CONTRACTOR IS RESPONSIBLE FOR MAINTAINING WINDOW OPENING AND ALL WOOD FRAMING AROUND THE WINDOW.
4. WOOD BUCKS, BY OTHERS, MUST SUSTAIN ALL IMPOSED LOADS AND MUST BE PROPERLY ANCHORED TO TRANSFER LOADS TO THE STRUCTURE AND SHALL BE INSPECTED BY A BUILDING OFFICIAL. WOOD BUCK MIN. G = 0.42.
5. FOR INSTALLATION INTO CONCRETE/MASONRY, USE ITW/BUILDEX TAPCONS WITH ADVANCED THREADFORM TECHNOLOGY. ANCHORS MUST NOT BE INSTALLED INTO MORTAR JOINTS. ANCHOR SPACING SHOULD BE REDUCED AS NEEDED SO THAT THE ANCHOR IS AT LEAST 2" FROM MORTAR JOINTS. MAINTAIN 3" MIN. SPACING BETWEEN ANY TWO TAPCONS. CONCRETE/MASONRY SUBSTRATES SHALL CONSIST OF NON-CRACKED SOLID CONCRETE (2000 PSI MIN. COMPRESSIVE STRENGTH) OR GROUT-FILLED CMU (117 PCF MIN. DENSITY).
6. SHIMS MUST BE USED WHEN GAP OF GREATER THAN 1/16" BETWEEN FRAME AND OPENING IS PRESENT AT THE ANCHOR LOCATION. MAX. SHIM STACK IS 1/4".
7. ONLY MIAMI-DADE COUNTY APPROVED CORROSION RESISTANT FASTENERS AND ITW TAPCON FASTENERS SHALL BE USED.
8. WINDOW INSTALLERS SHALL FOLLOW ALL MANUFACTURER'S INSTRUCTIONS.
9. NO SHUTTERS OR EXTERNAL PROTECTION DEVICES ARE REQUIRED.
10. GLAZING INDICATED HEREIN COMPLIES WITH ASTM E 1300-04.



| | |
|------------------------|---------------|
| DESIGN PRESSURE RATING | IMPACT RATING |
| +50.0 PSF -50.0 PSF | LARGE MISSILE |

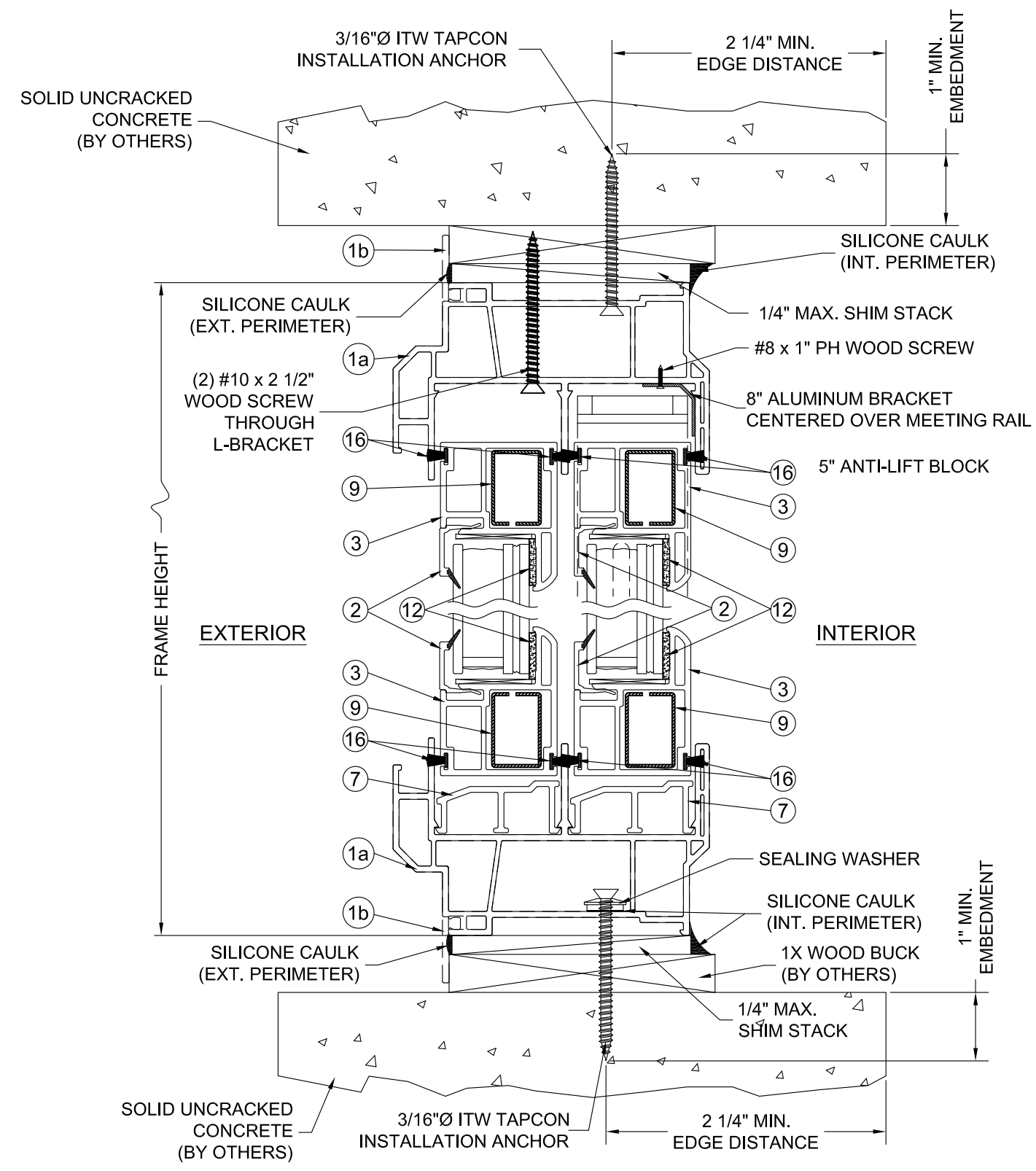
| TABLE OF CONTENTS | |
|-------------------|--|
| SHEET # | DESCRIPTION |
| 1 | GENERAL NOTES & TYPICAL ELEVATIONS |
| 2 | VERTICAL CROSS SECTIONS - 07-09 RETRO / 07-10 FLANGE |
| 3 | HORIZONTAL CROSS SECTIONS - 07-09 / 07-10 |
| 4 | ANCHORING LOCATIONS & GLAZING DETAILS (RETRO & FLANGE) |
| 5 | COMPONENTS & BILL OF MATERIALS |



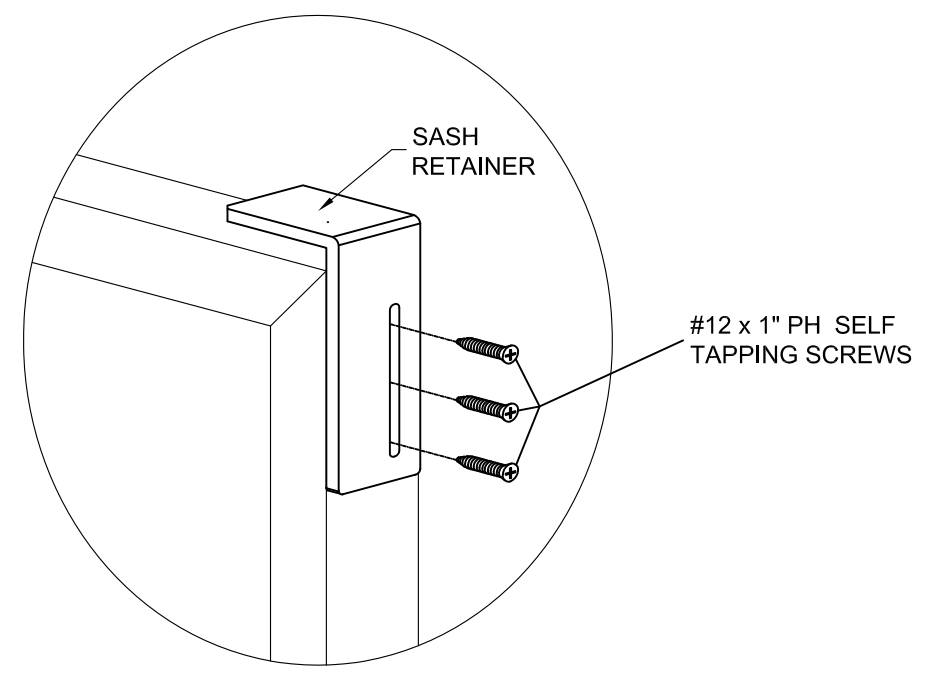
11/05/2020
LUCAS A. TURNER, P.E.
FL PE # 58201
TURNER ENGINEERING & CONSULTING, INC.
(COA # 29779)
2428 OLD NATCHEZ TRACE TRAIL, CAMDEN, TN 38320
PH. 941-380-1574

| | | | |
|---|---------------|---------------------|---|
| | SIZE: B | DRAWING NO.: DA0015 | REV.: 1 |
| | DRAWN BY: LMH | DATE: 02/01/17 | CHECKED BY: DATE: |
| SCALE: FIT | SHEET: 1 of 5 | APPR'V'D BY: DATE: | SERIES: STORMBREAKER PLUS 300VL 3-LITE END VENT SLIDER - 1X |
| TITLE: GENERAL NOTES & TYPICAL ELEVATIONS | | | |

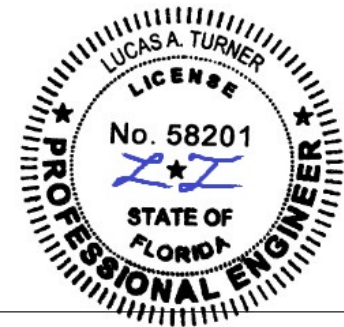
| REV. #: | REVISIONS: | REVISED BY: | DATE: |
|---------|--------------------------------|-------------|------------|
| 1 | UPDATED FOR 7TH ED. (2020) FBC | LMH | 11/05/2020 |
| . | . | . | . |
| . | . | . | . |
| . | . | . | . |
| . | . | . | . |



- NOTES:**
1. SHIMS TO BE A "RIGID/STIFF" MATERIAL THAT COMPLIES WITH THE REQUIREMENTS OF THE MIAMI-DADE COUNTY, FL AND FLORIDA BUILDING CODE.
 2. APPLY CAULK AROUND SCREWS AT THE SILL ONLY.
 3. REPLACE ONE L-BRACKET SCREW WITH AN INSTALLATION SCREW. (APPROX. 1 3/4" FROM CENTERLINE) IN HEAD.
 4. CORROSION RESISTANT FASTENERS AND MATERIALS THAT COME INTO CONTACT WITH OTHER DISSIMILAR MATERIALS SHALL MEET THE REQUIREMENTS OF THE FLORIDA BUILDING CODE.



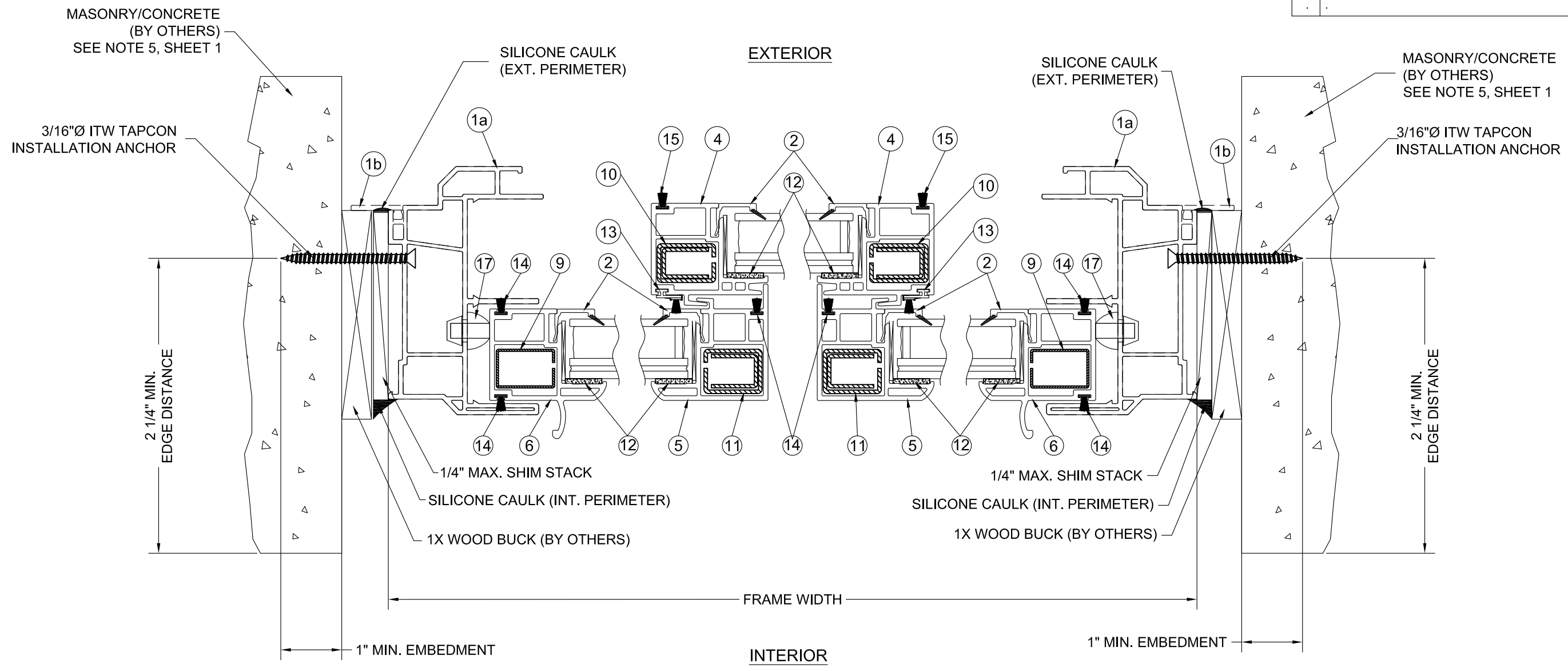
- 1 VERTICAL CROSS SECTION (1X BUCK)
- 2 07-09 RETRO / 07-10 FLANGE INSTALLATION



11/05/2020
 LUCAS A. TURNER, P.E.
 FL PE # 58201
 TURNER ENGINEERING & CONSULTING, INC.
 (COA # 29779)
 2428 OLD NATCHEZ TRACE TRAIL, CAMDEN, TN 38320
 PH. 941-380-1574

| | | | |
|---|---------------|---------------------|----------------|
| | SIZE: B | DRAWING NO.: DA0015 | REV.: 1 |
| | DRAWN BY: LMH | CHECKED BY: | DATE: 02/01/17 |
| SCALE: FIT | SHEET: 2 of 5 | APPR'V'D BY: | DATE: |
| SERIES: STORMBREAKER PLUS 300VL 3-LITE END VENT SLIDER - 1X | | | |
| TITLE: VERTICAL CROSS SECTIONS - 07-09 RETRO / 07-10 FLANGE | | | |

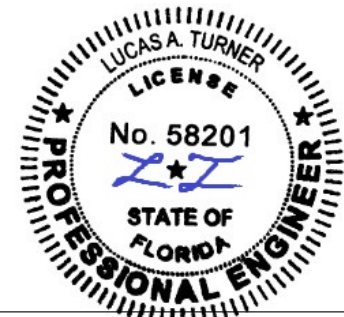
| REV. #: | REVISIONS: | REVISED BY: | DATE: |
|---------|--------------------------------|-------------|------------|
| 1 | UPDATED FOR 7TH ED. (2020) FBC | LMH | 11/05/2020 |
| . | . | . | . |
| . | . | . | . |
| . | . | . | . |
| . | . | . | . |



1 HORIZONTAL CROSS SECTION (1X BUCK)
 3 07-09 RETRO / 07-10 FLANGE INSTALLATION

NOTES:

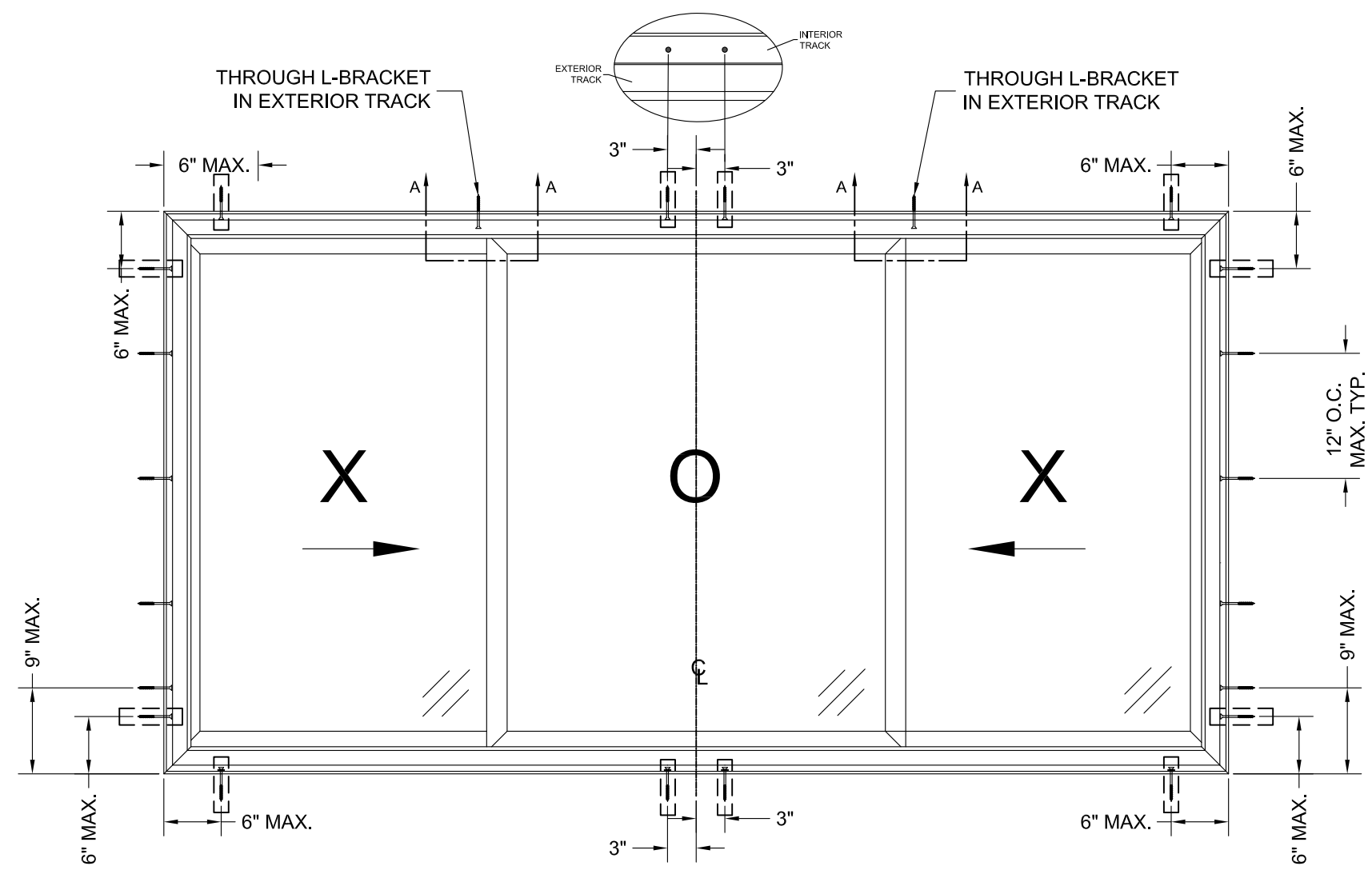
- SHIMS TO BE A "RIGID/STIFF" MATERIAL THAT COMPLIES WITH THE REQUIREMENTS OF THE MIAMI-DADE COUNTY, FL AND FLORIDA BUILDING CODE.
- CORROSION RESISTANT FASTENERS AND MATERIALS THAT COME INTO CONTACT WITH OTHER DISSIMILAR MATERIALS SHALL MEET THE REQUIREMENTS OF THE FLORIDA BUILDING CODE.



11/05/2020
 LUCAS A. TURNER, P.E.
 FL PE # 58201
 TURNER ENGINEERING &
 CONSULTING, INC.
 (COA # 29779)
 2428 OLD NATCHEZ TRACE
 TRAIL, CAMDEN, TN 38320
 PH. 941-380-1574

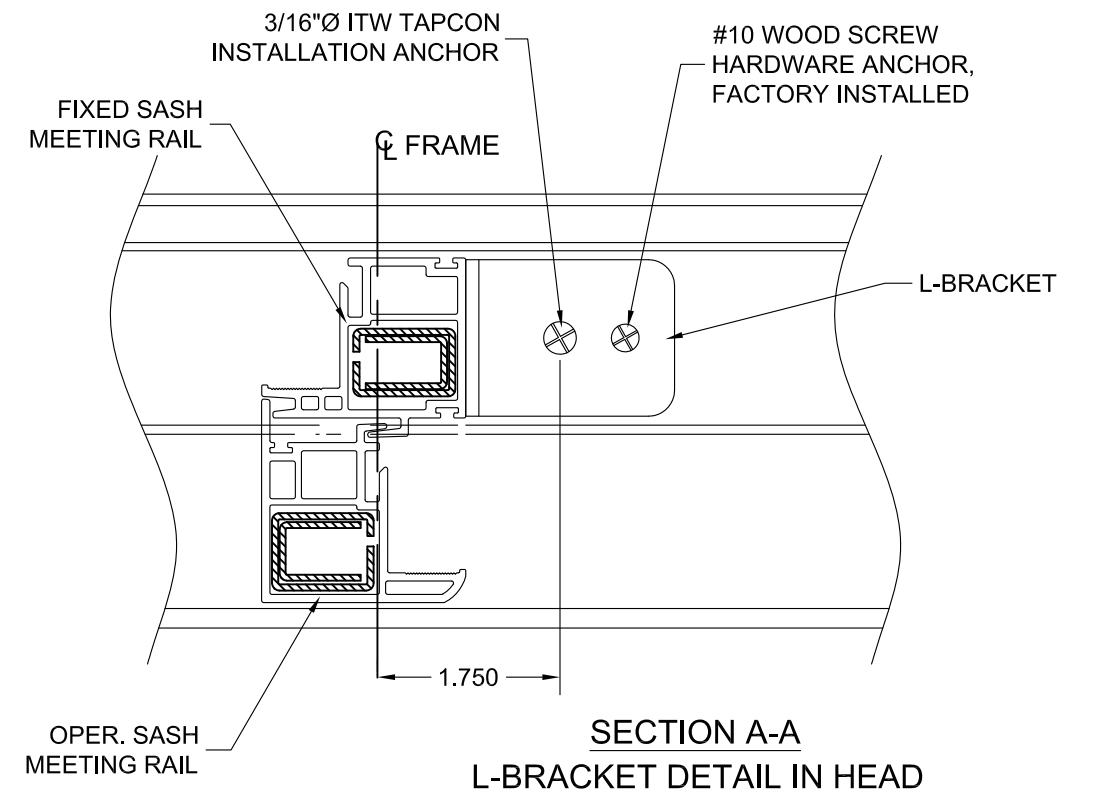
| | | | |
|--|---------------|---------------------|-------------------|
| | SIZE: B | DRAWING NO.: DA0015 | REV.: 1 |
| | DRAWN BY: LMH | DATE: 02/01/017 | CHECKED BY: DATE: |
| SCALE: FIT | SHEET: 3 of 5 | APPR'V'D BY: DATE: | |
| SERIES: STORMBREAKER PLUS 300VL 3-LITE END VENT SLIDER - 1X TITLE: HORIZONTAL CROSS SECTIONS - 07-09 RETRO / 07-10 FLANGE | | | |

| REV. #: | REVISIONS: | REVISED BY: | DATE: |
|---------|--------------------------------|-------------|------------|
| 1 | UPDATED FOR 7TH ED. (2020) FBC | LMH | 11/05/2020 |
| . | . | . | . |
| . | . | . | . |
| . | . | . | . |
| . | . | . | . |

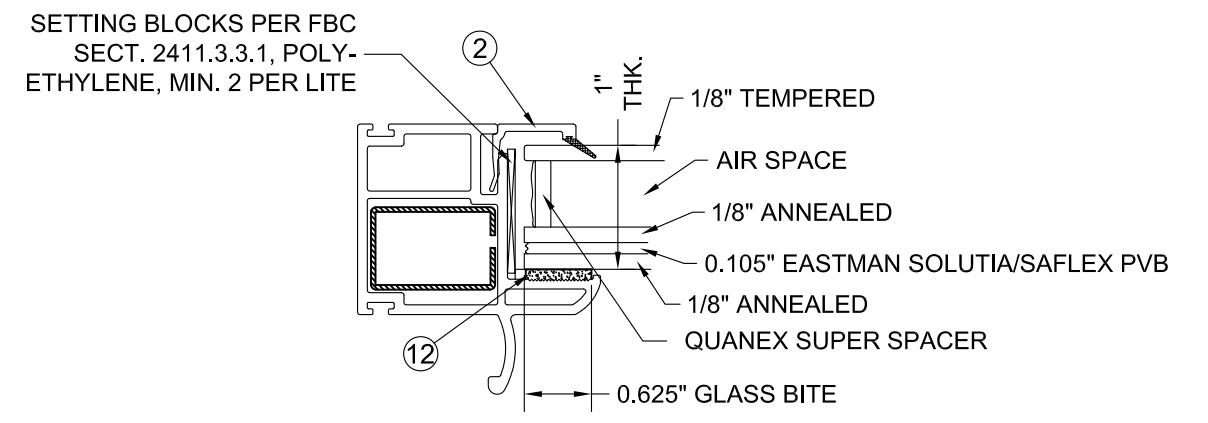


□ □ □ INSTALLATION HOLE PRE-DRILLED BY MANUFACTURER

1X ANCHOR LAYOUT - 07-09 RETRO / 07-10 FLANGE
113" x 63" HORIZONTAL SLIDING WINDOW (XOX)-EQ

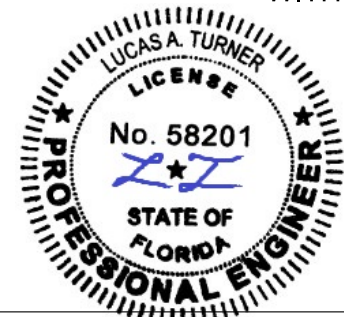


SECTION A-A
L-BRACKET DETAIL IN HEAD
BRACKET AND HARDWARE ANCHOR SUPPLIED BY MANUFACTURER, INSTALLED IN FIELD.



GLAZING DETAIL
WITH SOLUTIA/SAFLEX LAMINATE

NOTES:
1. WHEN ANCHORING WINDOW TO A 1X WOOD BUCK AND MASONRY/CONCRETE, USE 3/16"Ø ITW TAPCON ANCHORS OF SUFFICIENT LENGTH TO ACHIEVE 1" MINIMUM EMBEDMENT INTO THE MASONRY/CONCRETE.

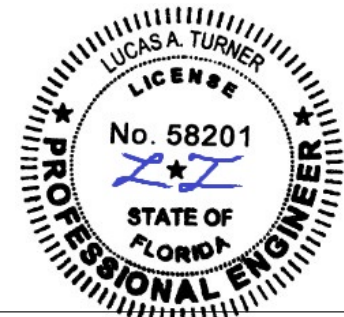
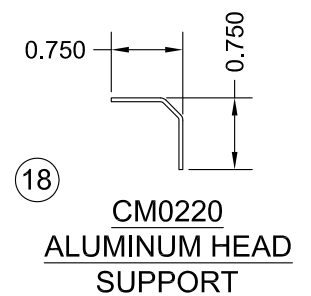
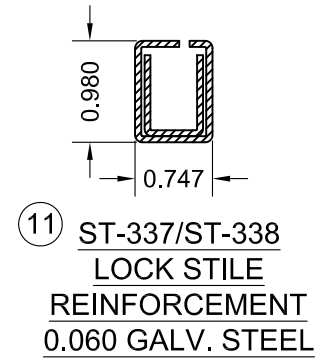
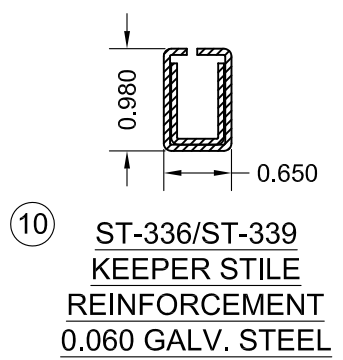
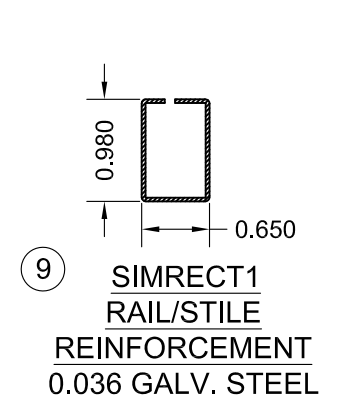
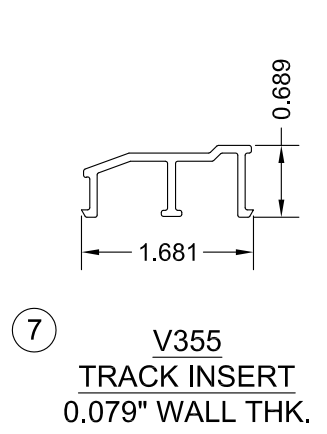
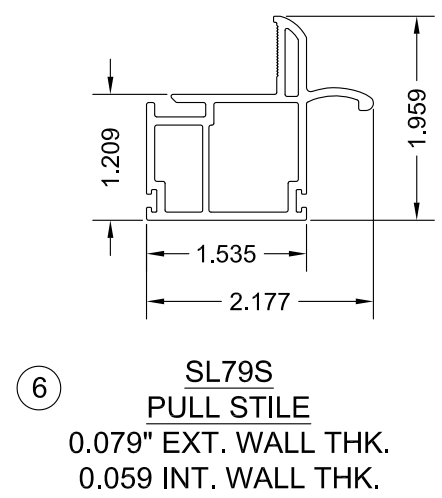
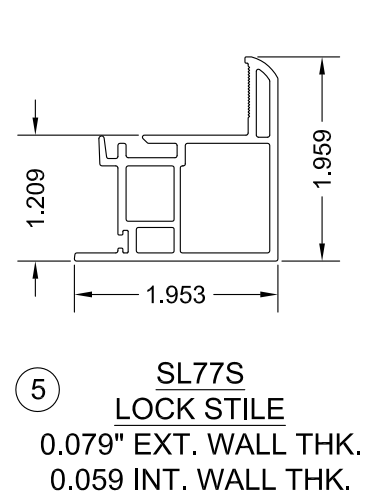
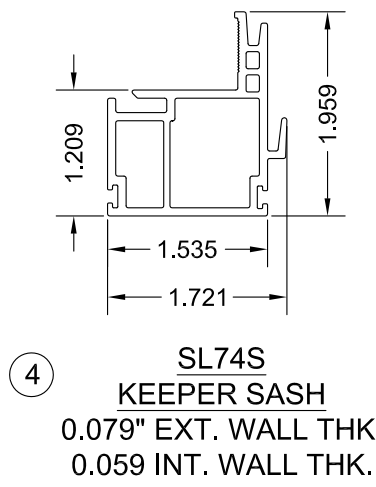
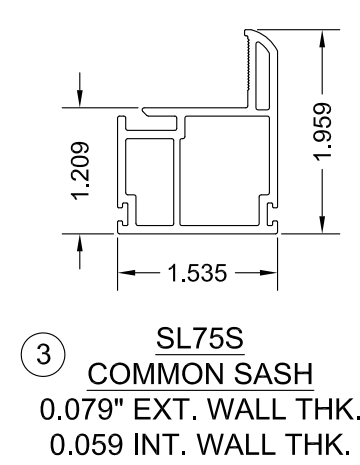
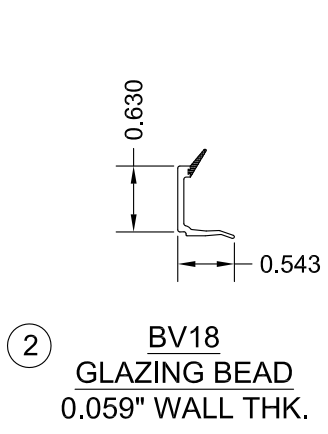
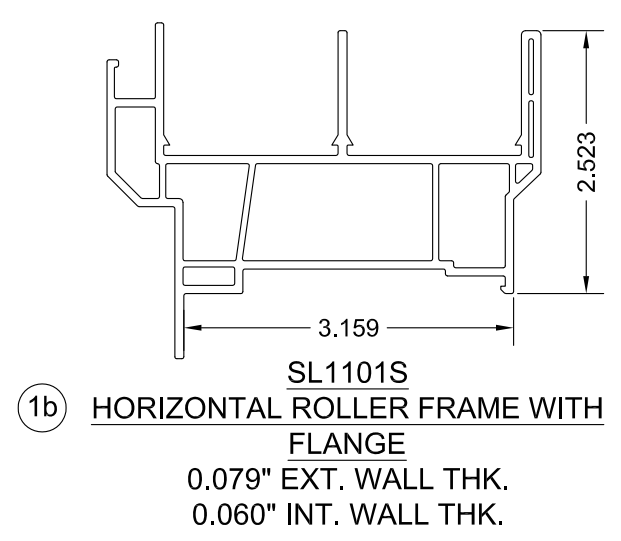
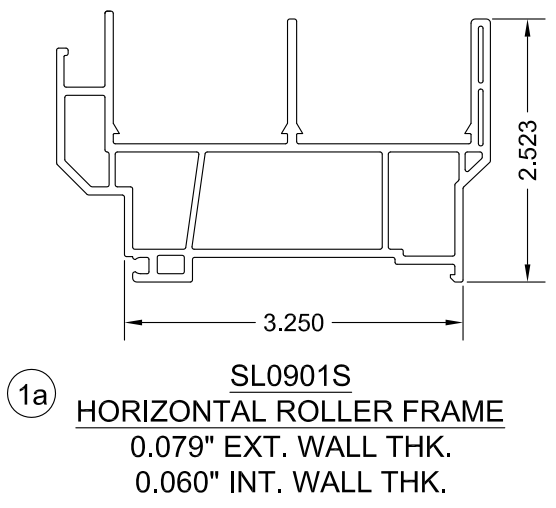


11/05/2020
LUCAS A. TURNER, P.E.
FL PE # 58201
TURNER ENGINEERING & CONSULTING, INC.
(COA # 29779)
2428 OLD NATCHEZ TRACE TRAIL, CAMDEN, TN 38320
PH. 941-380-1574

| | | | |
|---|---------------|---------------------|-------------|
| | SIZE: B | DRAWING NO.: DA0015 | REV.: 1 |
| | DRAWN BY: LMH | DATE: 02/01/17 | CHECKED BY: |
| SCALE: FIT | SHEET: 4 of 5 | APPR'V'D BY: | DATE: |
| SERIES: STORMBREAKER PLUS 300VL 3-LITE END VENT SLIDER - 1X TITLE: ANCHORING LOCATIONS & GLAZING DETAILS - AS TESTED | | | |

| BILL OF MATERIALS | | |
|-------------------|--|------------------|
| ITEM # | DESCRIPTION | MANUFACTURER |
| 1a | SL0901S VINYL FRAME (HEAD/JAMB/SILL) | SIMEX, INC. |
| 1b | SL1101S VINYL FRAME WITH FLANGE | SIMEX, INC. |
| 2 | BV18 VINYL GLAZING BEAD FOR 1" I.G.U. | SIMEX, INC. |
| 3 | SL75S VINYL COMMON SASH | SIMEX, INC. |
| 4 | SL74S VINYL KEEPER SASH | SIMEX, INC. |
| 5 | SL77S VINYL LOCK STILE | SIMEX, INC. |
| 6 | SL79S VINYL PULL STILE | SIMEX, INC. |
| 7 | V355 VINYL SILL TRACK INSERT | SIMEX, INC. |
| 8 | 6063-T5 ALUMINUM L-BRACK (HEAD/SILL) | TRUTH |
| 9 | SIMRECT1 GALVANIZED STEEL REINFORCEMENT | HYGRADE |
| 10 | ST-336/ST-339 GALVANIZED STEEL REINFORCEMENT | HYGRADE |
| 11 | ST-337/ST-338 GALVANIZED STEEL REINFORCEMENT | HYGRADE |
| 12 | 896-HIS GLAZING COMPOUND | PECORA |
| 13 | OFFSET FINSEAL WEATHERSTRIPPING | AMESBURY |
| 14 | 0.250" FINSEAL WEATHERSTRIPPING | AMESBURY |
| 15 | 0.340" FINSEAL WEATHERSTRIPPING | AMESBURY |
| 16 | 0.460" FINSEAL WEATHERSTRIPPING | AMESBURY |
| 17 | PRESS FIT BUMPER STOPS | KASO |
| 18 | 8" ALUMINUM SUPPORT BRACKET - HEAD | SHAPES UNLIMITED |

| REV. #: | REVISIONS: | REVISED BY: | DATE: |
|---------|--------------------------------|-------------|------------|
| 1 | UPDATED FOR 7TH ED. (2020) FBC | LMH | 11/05/2020 |
| . | . | . | . |
| . | . | . | . |
| . | . | . | . |
| . | . | . | . |



11/05/2020
LUCAS A. TURNER, P.E.
FL PE # 58201
TURNER ENGINEERING & CONSULTING, INC.
(COA # 29779)
2428 OLD NATCHEZ TRACE
TRAIL, CAMDEN, TN 38320
PH. 941-380-1574

| | | | |
|--|---------------|---------------------|-------------|
| | SIZE: B | DRAWING NO.: DA0015 | REV.: 1 |
| | DRAWN BY: LMH | DATE: 02/01/17 | CHECKED BY: |
| SCALE: FIT | SHEET: 5 of 5 | APPR'V'D BY: | DATE: |
| SERIES: STORMBREAKER PLUS 300VL 3-LITE END VENT SLIDER - 1X TITLE: BILL OF MATERIALS AND COMPONENTS | | | |